

RF Connector, SMA-F

ERF6009

Description

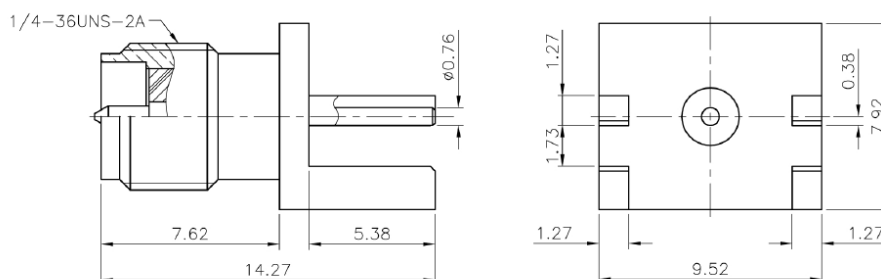
The ERF6009 is a SMA Female connector and can be mounted on the side of a PCB.



Features

Parameter	Description
Connector type	SMA Female PCB end Launch
Dimensions:	14.27 x 9.52 x 7.92 mm ± 0.1
Operating Temperature Range:	-20°C~+65°C
Storage Temperature Range:	-20°C~+65°C
Materials	1 Brass per QQ-B-626 2 Gold PL 3 min Thick over Nickel PL 70 min Thick over copper strike 3 Gold PL 30 min Thick over Nickel PL 70 min Thick over Copper strike 4 Teflon MIL-P-19468 5 Beryllium copper per QQ-C-530 Notes: Finish (Plating Thickness in micro-inches)

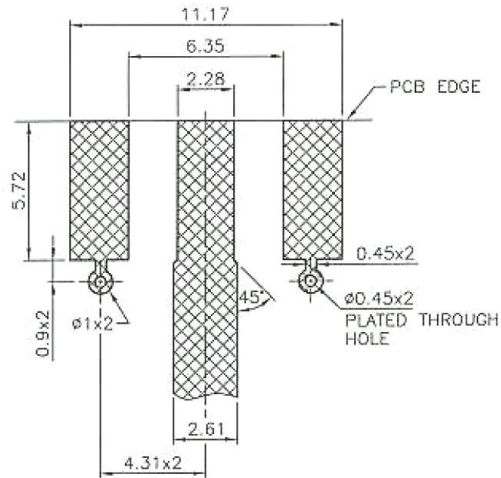
Dimensions



RF Connector, SMA-F

ERF6009

PCB Footprint



PCB thickness: 1.57 mm

Material: Duoble sided FR4 with 1 oz. copper

Ordering information

Ordering can be done via www.summit-electronics.com or via info@summit-electronics.com. Please contact us for more information. Customisation of the product is available on request.

Technical support

For all product questions please contact us via info@summit-electronics.com

Document revision

Rev	Date	changes
2023v1	01-09-2023	First issue of document